



## SWING CLAMPS, SWING CLAMP ASSEMBLIES AND HEAVY-DUTY HOOK CLAMPS

- **Features:**

High clamping forces are generated by tightening the socket head bolt making these clamps suitable for applications where secure clamping with a minimum of flexing is required, such as in heavy machining operations, the clamping of heavy moulds, or the holding of lids on vessels, etc,

On release, the clamping arm tends to swing open through 90 degrees automatically, but sometimes requires opening by hand, leaving the clamp arm clear for unloading.

The 1015 series comprises the clamping arm and return spring, the user providing a mounting hole to the dimensions shown in the catalogue. The 1016 series comprises complete assemblies of clamping arm, clamping bolt, return spring and housing, ready for bolting to a fixture.

- **Specification:**

The clamping arm and, in the 1016 series, its housing, are heat treated alloy steel precision castings machined to tight tolerances to ensure a positive and smooth action. All parts except the return spring are finished chemi-black.

## SWING CLAMP ASSEMBLIES

### SWING CLAMP ASSEMBLIES

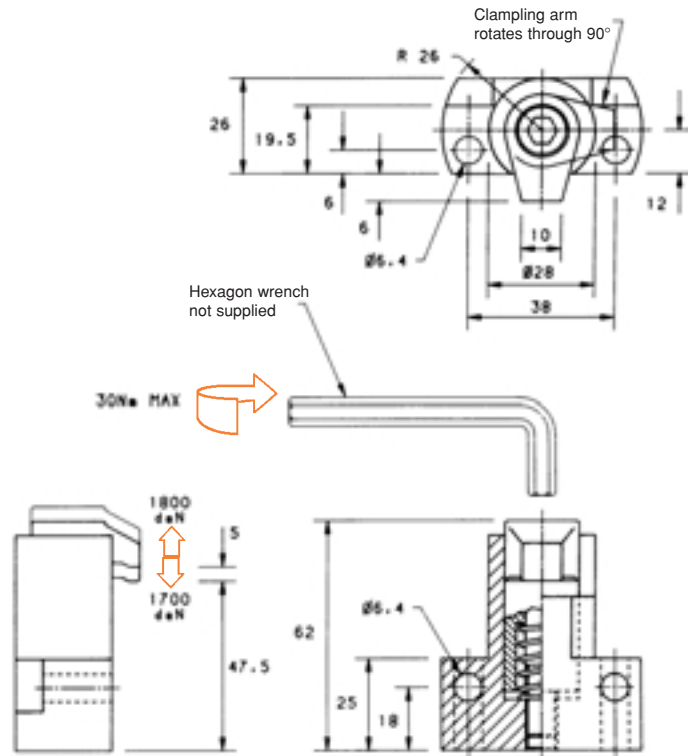
#### MODEL 1016-08



Base or Front Mounted.  
Manually turned.  
Tightened & released by  
hexagonal key.  
Spring return.

**Nominal Holding Force:**  
1800 daN

**Weight:**  
0.33 Kg



### SWING CLAMP ASSEMBLIES

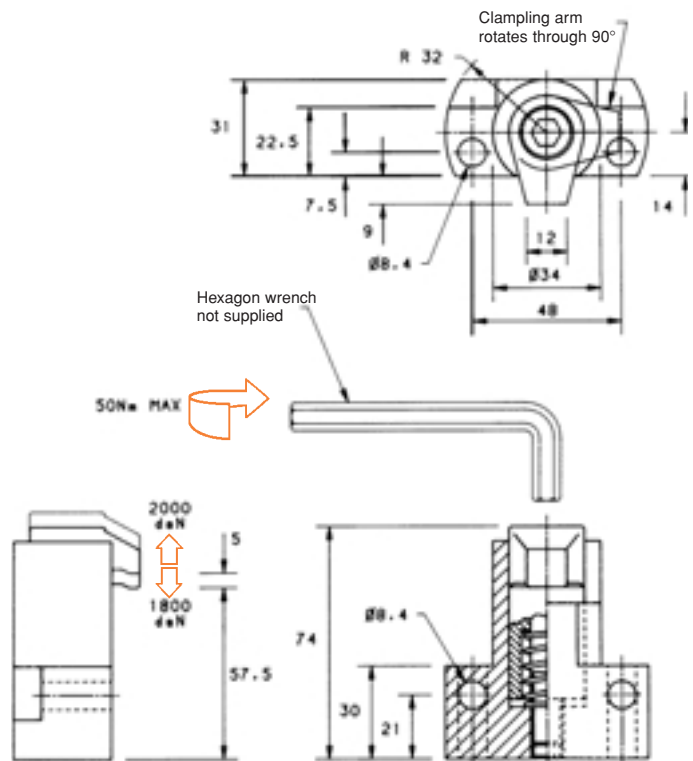
#### MODEL 1016-10



Base or Front Mounted.  
Manually turned.  
Tightened & released by  
hexagonal key.  
Spring return.

**Nominal Holding Force:**  
2000 daN

**Weight:**  
0.56 Kg



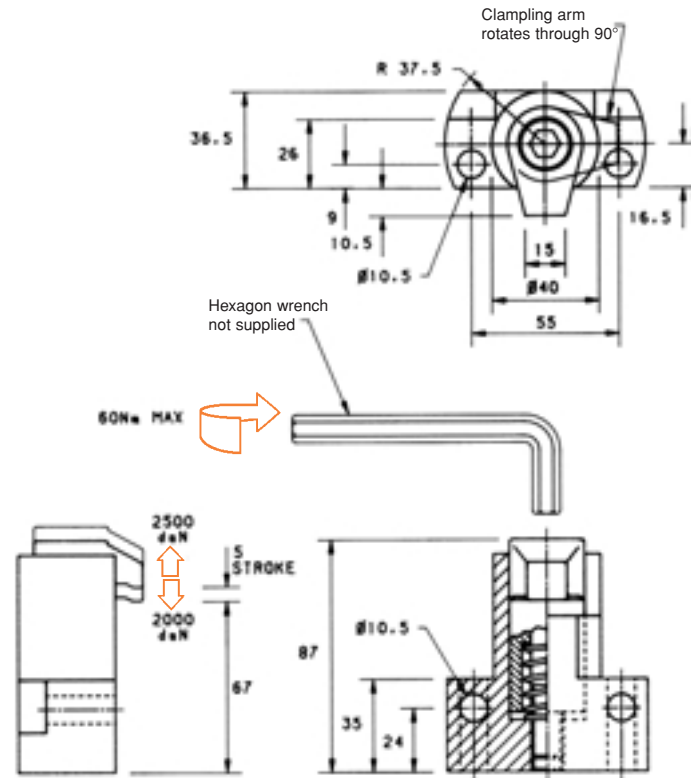
## SWING CLAMP ASSEMBLIES

### SWING CLAMP ASSEMBLIES MODEL 1016-12



Base or Front Mounted.  
Manually turned.  
Tightened & released by  
hexagonal key.  
Spring return.

**Nominal Holding Force:**  
2500 daN  
**Weight:**  
0.81 Kg

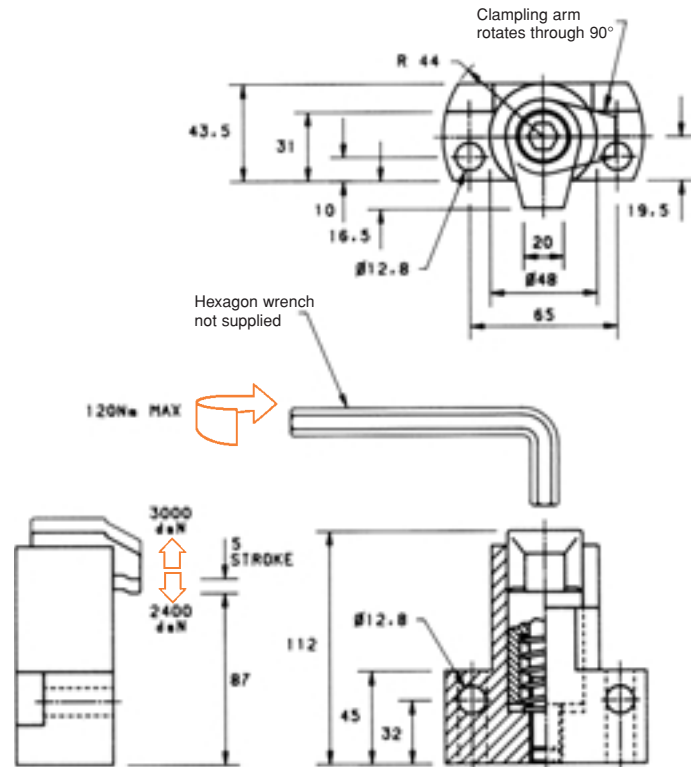


### SWING CLAMP ASSEMBLIES MODEL 1016-16



Base or Front Mounted.  
Manually turned.  
Tightened & released by  
hexagonal key.  
Spring return.

**Nominal Holding Force:**  
3000 daN  
**Weight:**  
1.60 Kg



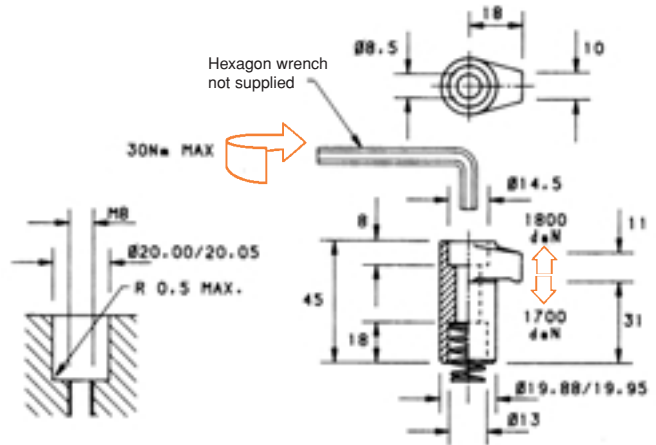
## HEAVY-DUTY SWING CLAMPS

### SWING CLAMPS MODEL 1015-08



Hole mounted by customer.  
Manually turned.  
Tightened & released by  
hexagonal key.  
Spring return.

**Nominal Holding Force:**  
1800 daN  
**Weight:**  
0.08 Kg

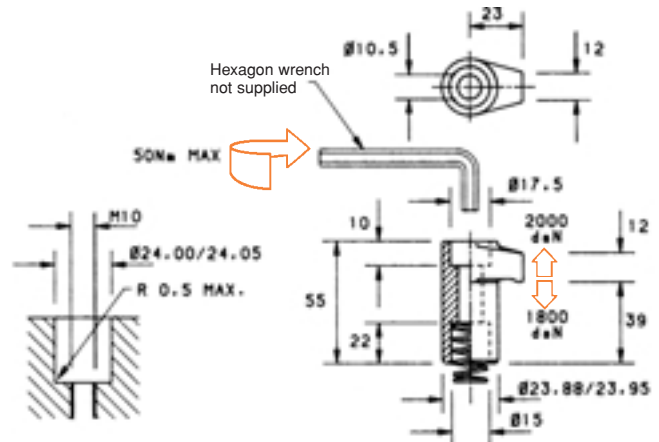


### SWING CLAMPS MODEL 1015-10



Hole mounted by customer.  
Manually turned.  
Tightened & released by  
hexagonal key.  
Spring return.

**Nominal Holding Force:**  
2000 daN  
**Weight:**  
0.15 Kg

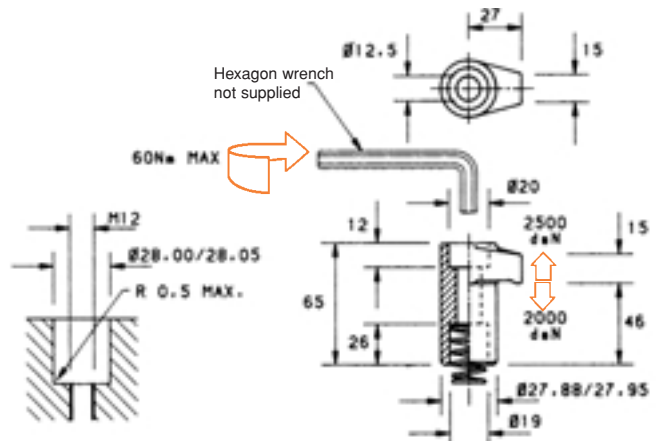


### SWING CLAMPS MODEL 1015-12



Hole mounted by customer.  
Manually turned.  
Tightened & released by  
hexagonal key.  
Spring return.

**Nominal Holding Force:**  
2500 daN  
**Weight:**  
0.23 Kg

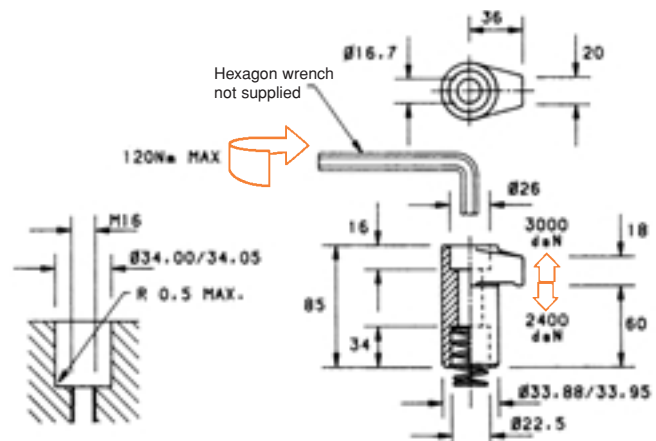


### SWING CLAMPS MODEL 1015-16

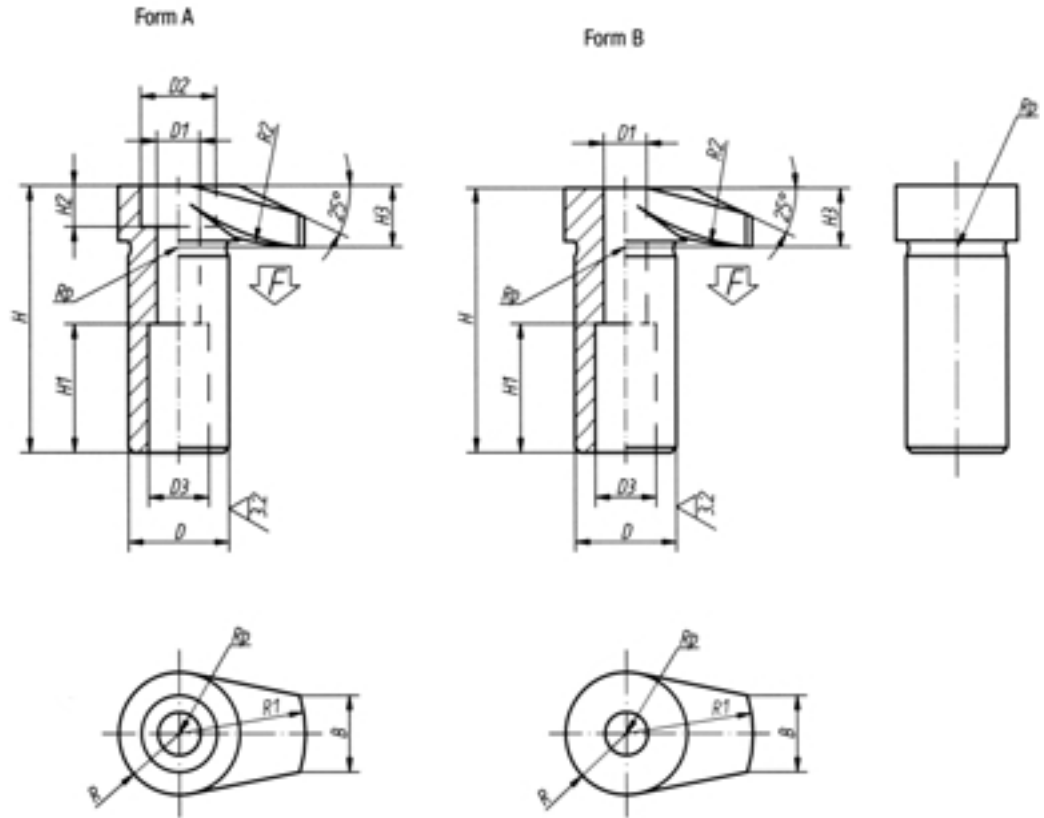


Hole mounted by customer.  
Manually turned.  
Tightened & released by  
hexagonal key.  
Spring return.

**Nominal Holding Force:**  
3000 daN  
**Weight:**  
0.44 Kg



## HEAVY-DUTY MACHINE HOOK CLAMPS



**Material:**  
Heat treated steel, heat-treated.

**Surface finish:**  
Black oxide finish.

### Specifications for hook clamps

Order No. Form A	Order No. Form B	$D_{-0,02/-0,10}$	$D_1$	$D_2$	$D_3$	H Form A	H Form B	$H_1$	$H_2$	$H_3$ Form A	$H_3$ Form B	B	R	$R_1$	$R_2$	$P_{max}$ daN	Approx. weight kg Form A	Approx. weight kg Form B
4370-06	4370-106	16	6,5	11	10	42	41,5	20	6	10	9,5	11	9	20	30	482	0,052	0,060
4370-08	4370-108	20	8,5	15	12	52	51,5	25	8	12	11,5	15	12	25	50	877	0,111	0,119
4370-10	4370-110	25	10,5	18	14	66	65,5	32	10	16	15,5	17	14	32	60	1390	0,230	0,238
4370-12	4370-112	32	12,5	20	17	83	82,5	40	12	20	19,5	20	18	40	80	2020	0,472	0,492

Sample order: hook clamp Form A 4370-10