

PUSH-PULL CLAMPS

'PRECISION' PUSH-PULL CLAMP

MODEL **P1150**
P2250

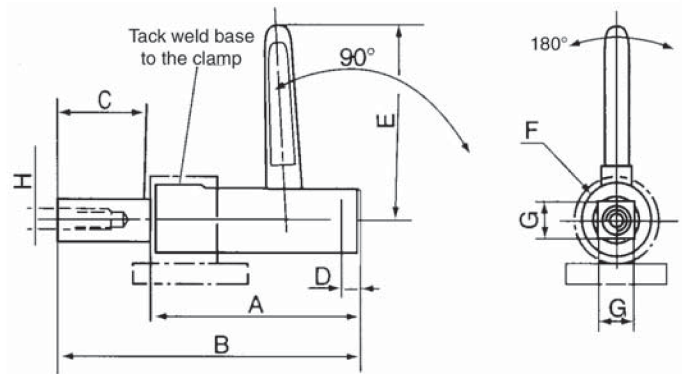


Piston:
Locks at the extended end of the stroke.

Base:
Fixed by using accessories overleaf.

Holding Force:
P1150 - 1 150 daN
P2250 - 2 250 daN

Weight:
P1150 - 1,150Kg
P2250 - 1,850Kg



MODEL	A	B	C	D	E	F	G	H
P1150	108	159	46	10	112	35	19	M12
P2250	141	212.5	55	14	127	45	24.8	M16

'PRECISION' PUSH-PULL CLAMP

MODEL **P1150L**
P2250L

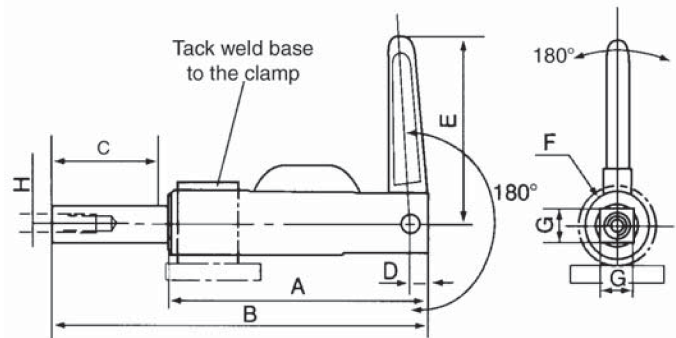


Piston:
Locks at the extended end of the stroke.

Base:
Fixed by using accessories overleaf.

Holding Force:
P1150L - 1 150 daN
P2250L - 2 250 daN

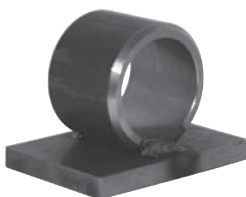
Weight:
P1150L - 1,150Kg
P2250L - 1,850Kg



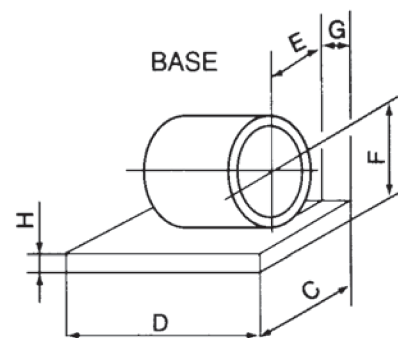
MODEL	A	B	C	D	E	F	G	H
P1150L	149.9	215.9	60	10	112	35	19	M12
P2250L	194	281	78	14	127	45	24.8	M16

BASE ACCESSORIES

MODEL **P1150, P1150L, P2250 & P2250L**



Weight of base:
1150B - 0.38Kg
2250B - 0.90Kg



BASE	C	D	E	F	G	H
1150B	70	50	35	30,1	6.5	7.6
2250B	90	70	45	40	7	12